

**CLIFF**

## Test Leads and Accessories



CRC/01 Croc Clip



CRC/01X Croc Clip



CRC/02 Croc Clip



CRC/M Croc Clip



TPR/2 Fused Test Probe



TPR/1 Un-fused Test Probe

The **CLIFF**<sup>®</sup> range of Test Leads and Accessories is designed to meet or exceed the requirements of EN61010 section 2-031. They are intended for use with instrumentation and test / measurement equipment. All models are produced from high quality materials, and are tough and durable as appropriate to the environments in which they will be used. Standard colours are Red and Black. Test probes can be supplied assembled with cables, PVC or silicone as part of prepackaged test lead kits for OEM requirements.

### Significant features include:

- Manufactured from engineering plastics.
- Insulated models comply or exceed IEC 1010 requirements.
- Test Probes can be crimped or soldered.
- Fused Probes can have printed fuse rating.
- Durable and economically priced.

#### Cliff Electronic Components, Ltd.

76 Holmethorpe Avenue, Holmethorpe Ind. Est.

Redhill, Surrey RH1 2PF. England

Tel: +44 (0) 1737 771375

Fax: +44 (0) 1737 766012

Email: sales@cliffuk.co.uk

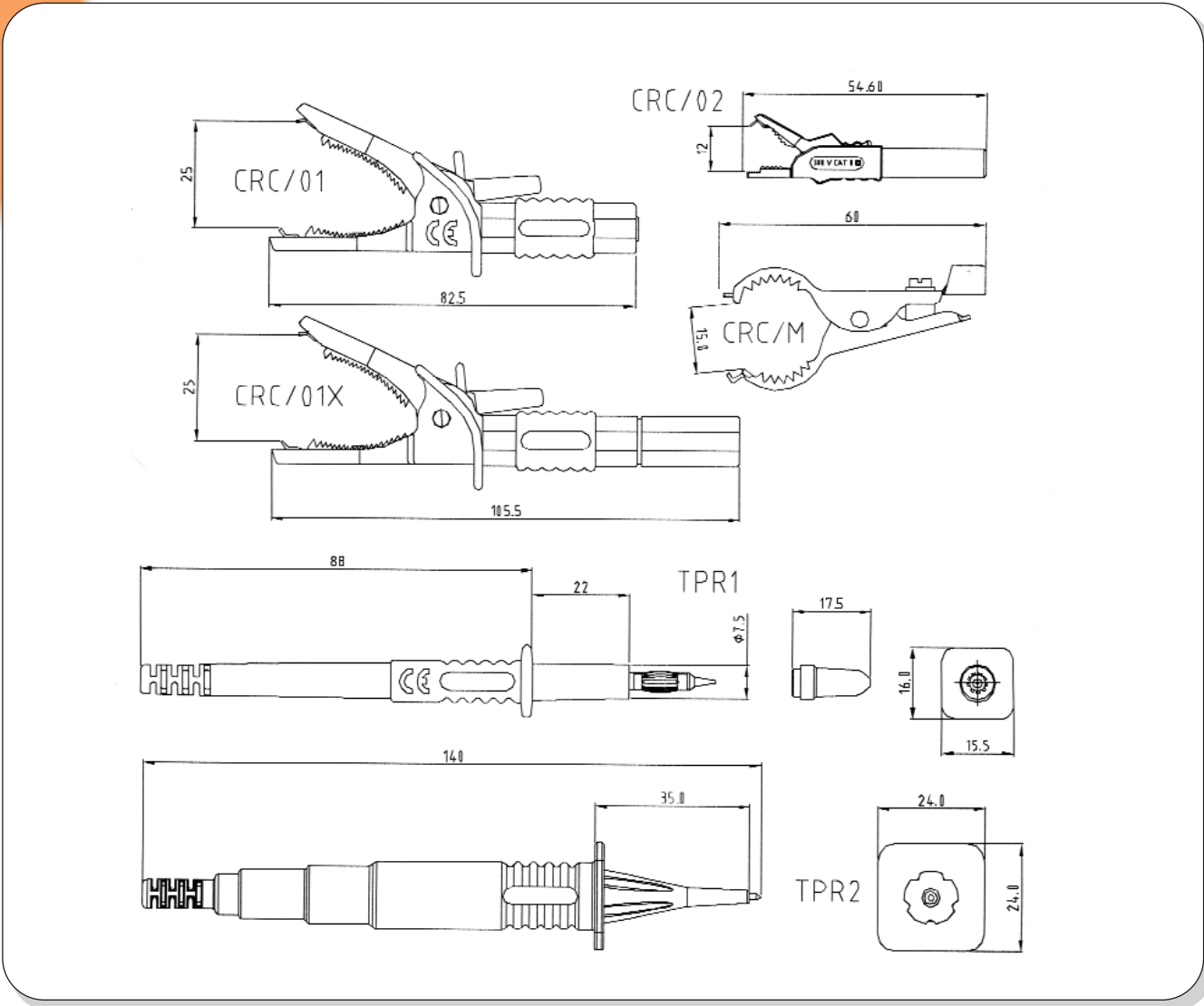


Visit us online at:

[www.cliffuk.co.uk](http://www.cliffuk.co.uk)



# Test Leads and Accessories



## Specifications:

MODEL	CURRENT (MAX)	EN61010 (2-031)	DESCRIPTION
CRC/01	10A (30A Max)	CAT III 600V	Crocodile Clip with 4mm Touchproof Connection. Red, black, blue, green, yellow, yellow/green.
CRC/01X	10A (30A Max)	CAT III 600V	Extended version to allow use with unprotected 4mm plugs.
CRC/02	15A (30A Max)	CAT III 300V	Mini Crocodile Clip with 4mm Touchproof Connection. Red, black, blue, green, yellow.
CRC/M	15A (30A Max)	-	All metal construction. Not insulated.
TPR/1	10A (30A Max)	CAT III 1KV	Test probe for direct cable connection. Supplied with removeable tip cover, Red, black.
TPR/1C	10A (30A Max)	CAT III 1KV	Test probe with collet cable strain relief for direct cable connection. Red, black. Removable tip cover.
TPR/2	10A (30A Max)	CAT III 1KV	Test probe with collet cable strain relief for direct cable connection. Red, black.
TPR/2S	10A (30A Max)	CAT III 1KV	As TPR/2 but with additional sprung retractable tip shroud.
TPR/2/F	10A (30A Max)	CAT III 1KV	As TPR/2 but with inbuilt replaceable 1000V fuse.
TPR/2/FS	10A (30A Max)	CAT III 1KV	As TPR/2F but with additional sprung retractable tip shroud.

Drawings available on request. Contact [sales@cliffuk.co.uk](mailto:sales@cliffuk.co.uk)